



The **BRILLANT 230** is a wet abrasive cut-off machine with fine dynamic, manual wheel movement into samples up to Ø 110 mm.

The spacious cutting chamber allows various clamping variations. The solid aluminium design comes with openings on the right and left hand side for cutting continuous long parts.



FINE DYNAMIC CUT-OFF

With the manual cutting movement, the cutting force is regulated through a set of gears. The cut is thereby jerk-free and more precise.

Z-AXIS

The manual Z-axis can be adjusted with 0.01 mm precision for parallel cuts.

INNOVATIVE DETAILS

The sliding front door and the side door with safety interlock allow easy and optimal access to the cutter chamber. Further, the LED cutting chamber illumination is energy-saving. The arbour is protected against wearing by an interchangeable ring.

MANUAL HORIZONTAL MOVEMENT

The manual horizontal movement allows cutting long parts longitudinally and easy positioning of the sample below the cut-off wheel.





BASIC MODULE



BRILLANT 230

Order No.: M1820000

- » Precise manual vertical movement
- » Table adjustable in x-direction
- » Sliding door and side door with door interlock
- » T-slot table, stainless steel
- » Opening on left- and righthand side for continuous long materials
- » Solid aluminium design, powder coated
- » Chamber illumination with LED, Easy-nut, arbour with protector

EQUIPMENT

POWER SUPPLY (select equipment)

Equipment 1

400 V/50 Hz (3/N/PE)

Order No.: A1820015

Equipment 2

480 V/60 Hz (3/PE)

Order No.: A1820016

Equipment 3

220 V/60 Hz (3/PE)

Order No.: A1820017

CUT-OFF WHEEL / CUTTING CAPACITY (select equipment)

Equipment 1

Cut-off wheel Ø 250/10"

Order No.: A1820013

» Max. cutting capacity Ø 85 mm

Equipment 2

Cut-off wheel Ø 300/12"

Order No.: A1820014

» Max. cutting capacity Ø 110 mm

TABLE DRIVE (select equipment)

Equipment 1

Without x-axis, without z-axis

Order No.: A1820028

Equipment 2

Manual x-axis, without z-axis

Order No.: A1820029

Equipment 3

Without x-axis, manual z-axis

Order No.: A1820030

Equipment 4

Manual x-axis, manual z-axis

Order No.: A1820031



Easy-nut - for easy change of cutting wheel



ACCESSORIES

RECIRCULATION COOLING SYSTEM

- » 2-chamber-pvc-compartment 45 Ltr.
- » Inlet sieve and filter bag

- » Incl. connection set
- » Controlled by cut-off machine

Mobile, with insertion mechanism for System Lab cabinets

- 400 V/50 Hz (3/PE)
Order No.: A5800484
- 480 V/60 Hz (3/PE)
Order No.: A5800485
- 220 V/60 Hz (3/PE)
Order No.: A5800486

Mobile

- 400 V/50 Hz (3/PE)
Order No.: A5800487
- 480 V/60 Hz (3/PE)
Order No.: A5800488
- 220 V/60 Hz (3/PE)
Order No.: A5800489



BELT FILTER SYSTEM 130

- Belt filter system 130**
- 400 V/50 Hz (3/PE)
Order No.: A6501009
 - 480 V/60 Hz (3/PE)
Order No.: A6501011
 - 220 V/60 Hz (3/PE)
Order No.: A6501010

- » Incl. filter roll
- » Tank 130 Ltr.
- » Filter capacity 30 Ltr./min (referring emulsion)
- » Pump 15 Ltr./min
- » WxHxD 530x630x1260 mm
- » Weight approx. 90 kg



Connection set Brillant 230/250

- Order No.: Z6501004
- » For belt filter system please order connection set

SYSTEM LAB CABINET

- Order No.: M5800044
- » System lab assembly
- » WxHxD 880x800x800 mm

CENTRIFUGAL SEPARATOR

- 400 V/50 Hz (3/PE)
Order No.: Z1820009
- 480 V/60 Hz (3/PE)
Order No.: Z1820012
- 220 V/60 Hz (3/PE)
Order No.: Z1820011

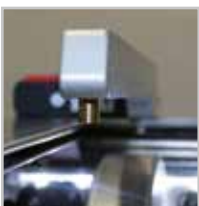
- » To remove coolant mist
- » Increases quality of illumination
- » exhauster power 180 or 215 m³/h depending on power supply



OPTION

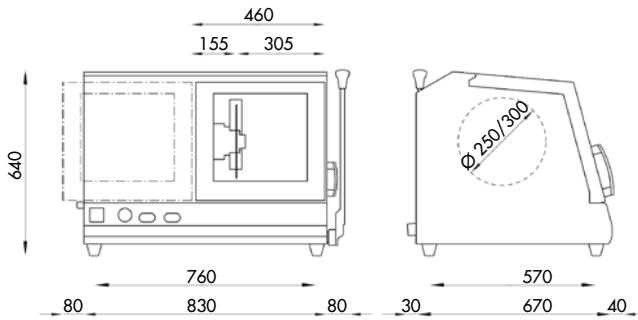
LASER-ALIGNMENT AID

- Order No.: A1820027
- » Laser line to visualize the cutting line
- » Laser class 2 EN/IEC 60825-1





SPECIFICATIONS



Max. cutting capacity	1	Ø 85 mm (Ø 250 mm cut-off wheel)
	2	Ø 110 mm (Ø 300 mm cut-off wheel)
Cut-off wheels	1	Ø 250 mm/10"
	2	Ø 300 mm/12"
Arbour size	Ø 32 mm	
Vertical movement	125 mm	
Table WxD	1	380 x 250 mm (without z-axis)
	2	300 x 250 mm (with z-axis)
T-slot	12 mm	
Speed	2750 rpm	
Connected load	6 kVA	
Power supply	1	400 V/50 Hz (3/N/PE)
	2	480 V/60 Hz (3/PE)
	3	220 V/60 Hz (3/PE)
WxHxD	approx. 830 x 640 x 670 mm	
Weight	approx. 130 kg	

