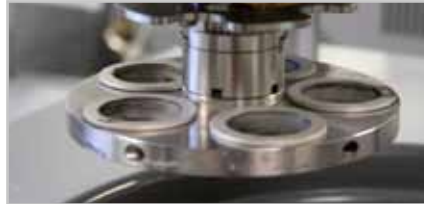




The **SAPHIR 520** is a single wheel grinder and polisher with top-mounted grinding and polishing head Rubin 500 for working wheels \varnothing 200 - 250 mm.

This unit will convince you best of all through its easy operation and wide range of possibilities. Sequence time, down-pressure, speed control, rotational direction, pneumatic lowering, single and central pressure as well as program saving and a few things more are all available. Additionally, there are all the advantages of the Saphir 320, a machine with impressive characteristics.



VARIABLE SPEED

The variable speed of the working wheel is set at the control panel of the grinding and polishing head Rubin 500.

The speed can also be changed during the working sequence.

ELECTRONIC CONTROL

The control panel is designed to be especially robust. All parameters can be changed at the control knob.

The logical design makes operation easy.

WATER

The water supply is switched manually. The rinsing tap can be pulled out for cleaning the basin with the hose extension. Optimum distribution of water can be reached by swinging the tap left and right across the diameter of the working wheel.



BASIC MODULE



SAPHIR 520 RUBIN 500

Order No.: M5630030

- » Single wheel grinder/polisher with Rubin 500 head
- » Single and central pressure
- » Variable speed
- » Electronic control with LC-Display
- » Programmable memory
- » Polishing head: clockwise/anti-clockwise rotation
- » Pneumatic height adjustment
- » Manual swivelling sideways
- » Automatic water solenoid
- » Basin rinsing
- » Incl. splashing ring and cover
- » Aluminium case, powder coated
- » Impact-proof plastic bowl

EQUIPMENT

POWER SUPPLY (select equipment)

Equipment 1

230 V/50 Hz (1/N/PE)

Order No.: A5630005

Equipment 2

110 V/60 Hz (1/N/PE)

Order No.: A5630006



E-Lab ready

Working wheels, sample holders etc. see page 3.41 and further.
Technical changes are reserved.

ACCESSORIES

DOSING UNIT TOPAS 130



Order No.: M6300040

- » Automatic dosing unit for 3x diamond suspension and 1x lubricant
- » Variable dosing
- » Reverse rinsing function
- » Manual or automatic function
- » WxHxD approx. 220 x 150 x 200 mm
- » Weight 2 kg

POWER SUPPLY (select equipment)

Equipment 1

230 V/50 Hz (1/N/PE)

Order No.: A6300001

Equipment 2

110 V/60 Hz (1/N/PE)

Order No.: A6300002

HOLDER FOR DOSING NOZZLES TOPAS 130



Order No.: A6300003

- » For automatic mode

SETTLING TANK

- » 2-chamber-compartment, powder coated, 45 Ltr.
- » Overflow and opening sieve



**For System lab
(insertion mechanism)**

Order No.: A5800029



Mobile

Order No.: A5800051

SYSTEM LAB CABINET



Order No.: M5800042

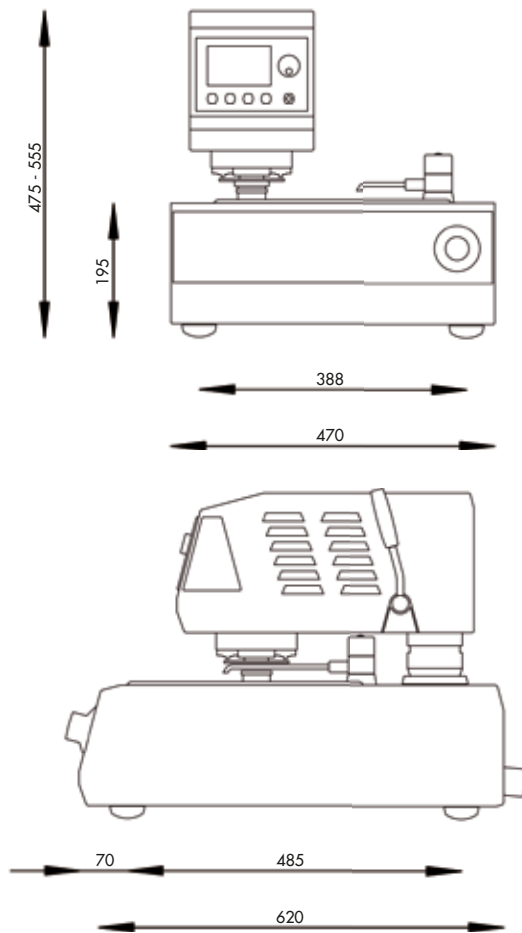
- » System lab assembly
- » WxHxD 880x800x800 mm

CONNECTION SET

Order No.: Z5600009

- » 1 drain tube Ø 40 mm; 1.5 m
- » 1 pressure tube R 1/2"; 2 m
- » 1 pressure tube; 3 m long with coupling and screw thread R 3/8"

SPECIFICATIONS



Connected load	1.8 kVA
Power supply	1 230 V/50 Hz (1/N/PE)
	2 110 V/60 Hz (1/N/PE)

SAPHIR 520

Working wheels	Ø 200 - 250 mm
Variable speed	50 - 600 rpm

RUBIN 500

Single pressure	1 - 5 samples; Ø 40 mm
Central pressure	depending on holder
Speed	140 rpm
Pressure	variable
Single pressure	5 - 100 N
Central pressure	20 - 350 N

WxHxD	approx. 470 x 475-555 x 620 mm
Weight	52 kg

