



The **BRILLANT 200** is an especially user-friendly wet abrasive cut-off machine with manual cut-off. Opening the machine folds away the hood to the inside so that the whole cutting chamber is easily accessible. The round window opens a wide field of view during the cutting process.

The cutting wheel cooling is integrated directly into the wheel guarding cover. The large, stainless table is equipped with replaceable wearing plates. Transverse grooves allow optimized alignment of clamping vices (e. g. clamping vice 80).



**FINE DYNAMIC CUT-OFF**

The manual cutting movement of the Y-axis is executed precisely and jerk-free via lever. Length and angle of the lever are adjustable. Further, the cutting depth can easily be adjusted by using a limiter.



**ILLUMINATION**

Through the large rounded window, the cutting chamber is comfortably visible. For direct lighting, the Brillant 200 can be equipped with a flexible LED light.

**SAFETY**

The integrated standstill monitoring allows opening only when the cutting wheel is not rotating.





## BASIC MODULE



## BRILLANT 200

Order No.: M1880000

- » Manual vertical movement
- » Simple operation
- » Opening on left- and righthand side for continuous long materials
- » Large table with replaceable wearing plates
- » Large hood for optimal accessibility
- » Latest safety standard with door interlocking system
- » Solid aluminium design, powder coated
- » Optional LED lamp
- » Easy-nut

## EQUIPMENT

## POWER SUPPLY (select equipment)

Equipment 1  
400 V/50 Hz (3/N/PE)  
Order No.: A1880000

Equipment 2  
480 V/60 Hz (3/PE)  
Order No.: A1880001

Equipment 3  
220 V/60 Hz (3/PE)  
Order No.: A1880002

## OPTION



## LED FLEX-LIGHT

Order No.: A1880003  
» Flexible LED light



Easy-nut – for easy change of cutting wheel



ACCESSORIES

RECIRCULATION COOLING SYSTEM

- » 2-chamber-pvc-compartment 45 Ltr.
- » Inlet sieve and filter bag

Mobile, with insertion mechanism for System Lab cabinets

- 400 V/50 Hz (3/PE)  
Order No.: A5800484
- 480 V/60 Hz (3/PE)  
Order No.: A5800485
- 220 V/60 Hz (3/PE)  
Order No.: A5800486



- » Incl. connection set
- » Controlled by cut-off machine

Mobile

- 400 V/50 Hz (3/PE)  
Order No.: A5800487
- 480 V/60 Hz (3/PE)  
Order No.: A5800488
- 220 V/60 Hz (3/PE)  
Order No.: A5800489



SYSTEM LAB CABINET

- Order No.: M5800044
- » System lab assembly
- » WxHxD 880x815x800 mm



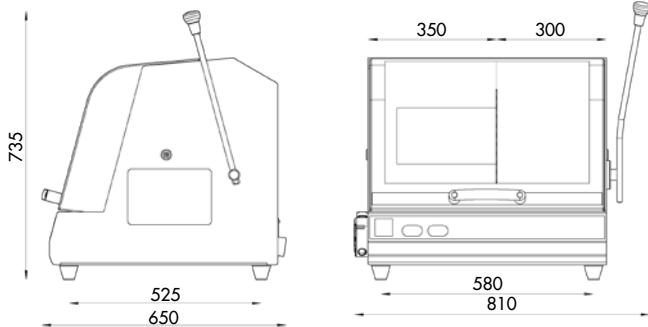
CENTRIFUGAL SEPARATOR

- 400 V/50 Hz (3/PE)  
Order No.: Z1820009
- 480 V/60 Hz (3/PE)  
Order No.: Z1820012
- 220 V/60 Hz (3/PE)  
Order No.: Z1820011



- » To remove coolant mist
- » Increases quality of illumination
- » exhauster power 180 or 215 m<sup>3</sup>/h depending on power supply

SPECIFICATIONS



Cutting capacity	Ø 90 mm - 25 mm long parts Ø 55 mm for continuous long parts
Cut-off wheels	Ø 250 mm/10"
Arbour size	Ø 32 mm
Vertical movement	approx. 155 mm (depends on cut-off wheel)
Table WxD	350 x 288 mm
T-slot	12 mm
Speed	50 Hz / 2850 rpm 60 Hz / 3420 rpm
Connected load	4.5 kVA
Power supply	1 400 V/50 Hz (3/N/PE)
	2 480 V/60 Hz (3/PE)
	3 220 V/60 Hz (3/PE)
WxHxD	approx. 810 x 735 x 650 mm
Weight	approx. 75 kg

