

**OPERATION**

**Touch-Screen display** for the ATM-Software control is easy to read thanks to smart phone technology and even easier to operate.

Compact program sequences are easy to compile with **Drag&Drop** and therefore enable automated program sequences.

An unlimited number of password-secured program sequences can be updated and backed-up via USB.

**BRILLANT 285**

The industrial wet cut-off machine BRILLANT 285 meets the highest of demands on space available and possibilities for cutting with its innovative concept for design, construction and operation.

A water-cooled 15 kW main motor is integrated into the swing arm and the automatic horizontal table (X-axis) and cutting wheel movement (Y-axis) can reach up to 80 mm/sec. through highly dynamic axis drives in rapid-run. With a totally new approach with the automatic cross-feed movement (Z-axis)

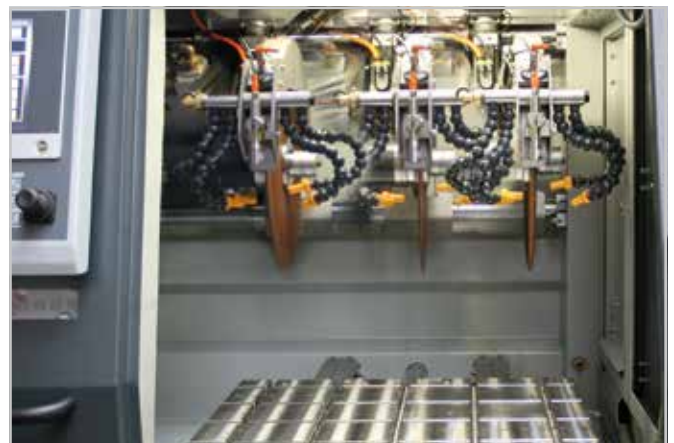
through the swing arm, the cutting chamber is ideally put to use.

Parallel setting of the wheel guard during vertical cutting sequences increases the cutting capacity considerably.

The large front and hinged door with safety lock enable access to the machine table with longitudinal and cross T-slots. The side door allows easy and convenient change of the cut-off wheel if Z-axis is set on the hard right position. Recirculating cooling and automatic central lubrication systems are integrated into the robust welded steel construction body of the machine.

**CONTROL**

A wide range of cutting procedures is at your disposal for the very best cutting results. Through the combination of this **unlimited range of positions**, series cuts or differing cut sequences can be made into reality. The cutting process is rightly supported by **controlled cut-off wheel revolutions** which can be held constant through an optional **wheel measurement facility**. **Control of the cutting speed** and a **soft start control** serve additionally for an economical cutting feed. Manual control commands in the X-/Z-/Y-axes are also possible using an industrial joystick. The operator console can be slid either to left or the right.



**TYPES OF CUT**

Travel and cutting wheel offer a wide-ranging repertoire of types of cut through different combinations. In addition to the linear diagonal cut, the layer and segment-cuts are recommended for gentle cuts.

The layer-cut is well-suited for cutting taller and longer objects as well as solid material.

The segment-cut is especially suitable for large objects and hard materials.

**CUT OPTIMIZATION**

In addition to the type of cut, variable pulse-cut feed can also be selected. Rhythmic **pulsed feed** ensures regular cooling and removal of cutting debris from the sample.

**MULTI-POSITION PROCESS MPP**

With the "Multi-Position-Process" (MPP) you can place several different specimens on the table and cut them in one sequence.

**REMOTE MAINTENANCE**

Using your existing broadband Internet connection, ATM provides an online fault diagnosis and operator support.

**LASER ALIGNMENT AID**

With line laser you can display the scheduled cut on the sample. This helps to define the exact cutting position.

**BASIC MODULE****BRILLANT 285****Order No.: M1831000**

- » automatic table (X-axis) and cutting wheel movement (Y-axis) can reach up to 80 mm/sec. through highly dynamic axis drive in rapid-run
- » automatic cross feed (Z-axis)
- » parallel setting of wheel guard during vertical cutting sequences increases cutting capacity
- » large cutting chamber with large T-slot table
- » machine table made of stainless steel with longitudinal and cross T-slots
- » Multi-position process MPP allows positioning of different components on the table simultaneously and adding into an automatic cutting process
- » easy access to cutting chamber by large sliding and side door (with safety lock during wheel movement)
- » changing of cut-off wheel through side door
- » sliding door with large window made of scratchproof safety glass
- » Touch-Screen display with smart-phone technology and ATM-Software control
- » an unlimited number of password-secured program sequences can be stored and updated; file exchange and backup via USB
- » ATM online-diagnostics and user support available
- » smart phone optics for easy compilation of compact program sequences with position steps and cutting modes (travel-, cut-off-, diagonal-, layer- and segment cut)
- » through the combination of an arbitrary range of cutting positions, series cuts of differing cut-sequences can be made into reality
- » variable pulse-cut feed
- » economical cutting feed by control of the cutting speed and soft start control
- » variable speed
- » manual control of X-/Y-/Z-axis via an industrial joystick
- » incl. cutting wheel arbour with wear ring and optimum chamber illumination
- » automatic central lubrication (6 bar compressed air required)
- » water-cooled 15 kW-main motor integrated into the swivel arm
- » robust welded steel construction body of machine, powder-coated
- » Easy-nut – for easy change of cut-off wheel
- » e-Lab-ready



EQUIPMENT

POWER SUPPLY



Equipment 1

400 V/50 Hz (3Ph/N/PE)

Order No.: A1831000

Equipment 2

480 V/60 Hz (3Ph/PE)

Order No.: A1831002

WHEEL GUARD



Equipment 1

Cut-off wheel Ø 500 mm/20"

Order No.: A1831001

Equipment 2

Cut-off wheel Ø 600 mm/24"

Order No.: A1831010

COOLING AND FILTER SYSTEMS



Equipment 1

Recirculation cooling unit

400 V/50 Hz (3Ph/PE)

Order No.: A1831005

480 V/60 Hz (3Ph/PE)

Order No.: A1831006

Tank approx.	170 ltr.
Pump approx.	100 ltr./min
WxHxD	810x528x1113 mm

- » integrated, mobile
- » multi chamber filtration
- » exchangeable filter fleece, filter performance up to 90% (see consumables)



Equipment 2

Belt filter system 285

400 V/50 Hz (3Ph/PE)

Order No.: A6501000

480 V/60 Hz (3Ph/PE)

Order No.: A6501002

Tank	285 ltr.
Filter capacity	100 ltr./min (referring emulsion)
Pump	100 ltr./min
Filter area	0.85 m <sup>2</sup>
Filter fleece width	710 mm
WxHxD	929x790x1745 mm
Weight approx.	120 kg

- » incl. filter roll

Connection set 285

Order No.: Z6501007

- » for belt filter systems please order connection set



OPTION

CENTRIFUGAL SEPARATOR



- » to remove coolant mist
- » increases quality of illumination
- » exhauster power 425 or 500 m<sup>3</sup>/h, depends on power supply

400 V/50 Hz (3Ph/PE)

Best.Nr.: A1832007

480 V/60 Hz (3Ph/PE)

Order No.: A1832009





**ROTATING TOOL**

- on request*
- » tool with vertical rotary feed, parallel to wheel
- » angle input via software control

**LASER ALIGNMENT AID**

- Order No.: A1831004
- » laser line to visualize the cutting line
- » laser class 2M Norm EN 60825-1

**SPECIFICATIONS**

Cut-off wheel	1	Ø 500 mm/20" *
	2	Ø 600 mm/24" **
Max. cutting capacity	Ø 194 mm* / Ø 244 mm**	
Arbour size	Ø 32 + 40 mm	
Y-axis automatic	360 mm	

X-axis automatic	550 mm
Speed rate	0.001-50 mm/sec

Z-Achse automatic	550 mm
Precision	0.1 mm

Table WxD	750 x 600 mm
T-slot	12 mm

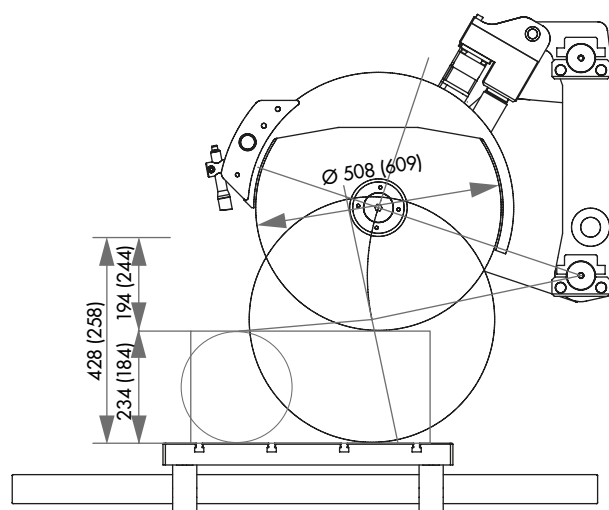
Motor cut-off wheel	15 kW, S1-mode
Connected load	30 kVA
Variable speed	1000-2400 rpm *
	1000-2000 rpm **

Power supply	1	400 V/50 Hz (3Ph/N/PE)
	2	480 V/60 Hz (3Ph/PE)

WxHxD	1488 x 1960 x 1477 mm
-------	-----------------------

Weight	2200 kg (depends on equipment)
--------	--------------------------------

use with cut-off wheel \* Ø 500 mm or \*\* Ø 600 mm



Travel X-axis 550

