

## MODULAR HOT MOUNTING PRESS

# QPRESS 50



### FAST MOUNTING CYCLE

The Qpress 50 is designed for fast mounting including a pre-heat function and safes significantly time compared to other hot mounting presses.

### MODULAR DESIGN

The basic unit, consisting of control and pressing unit, can be extended as required by 1 additional pressing unit Qp 50 (Qpress 50-2) or by 1-3 additional pressing units Qp 50 (Qpress 50-4). These units are separated from the basic unit and can also be added later. This allows to generate samples of up to 4 different diameters simultaneously in one modular device.

The Qpress 50 is a modular hot mounting press for fast and simultaneously independent mounting of different materialographic specimens. Due to its modularity the Qpress 50 can be configured ideally to the specific customer's needs; e.g. the specimens can differ in size and material.

The 7" touch screen with intuitive software contains user account management, pre-installed recipes and user-defined maintenance tasks and more. The device combines fast mounting and high energy efficiency in a robust powder-coated steel case.



### IMPROVED SLIDING CLOSURE

For easy operation a single-hand closure system has been evolved. By closing the sliding closure with suction nozzle, excess granulate is transported into a detachable shelf (dirt trap). The closure can be lifted up to clean the upper ram easily. Secure closure is given by self-locking under pressure.



### USER SAFETY

An integrated exhaust device (Dust Guard) protects the operator from inhaling expired fine dust during filling the moulds with mounting resin.



### EASY TO OPERATE

The multi-functional button indicates the selected mounting unit, the operation state of the pressing unit and facilitates the operation of the whole unit. The 7" touch display with control software consists of pre-installed mounting methods, consumables and offers the storage of more than 200 user-defined mounting methods. The user account management can be used to set different user accounts with diverse access and operator limits. In addition to that, user-defined maintenance tasks and cooling modes can be edited.



Basic unit



Qpress 50-2 -  
Basic unit with 1 additional pressing units Qp 50



Qpress 50-4 -  
Basic unit with 2 additional pressing units Qp 50



## BASIC MODULE

### Qpress 50

- | modular hot mounting press
- | basic unit with hydraulic mounting press and control interface for modular extension
- | fast mounting with low power consumption
- | proven one-hand closure system with integrated dirt trap (granular shelf to collect excess granulate) and suction nozzle
- | Dust Guard: removal of fine dust during filling of mold
- | 7" touch display with innovative control software
- | high flexibility due to customized
  - preheating function
  - cooling modes
  - maintenance tasks
- | user accounts with definable access rights
- | robust steel construction, powder coated

### Qpress 50-2

- | basic unit, consisting of control- and integrated pressing unit
- | extendable with 1 additional pressing unit Qp 50 (max. 2 moulds totally)

200-240 V, 50/60 Hz (1Ph/N/PE)

Order No.: M0800004

100-120 V, 50/60 Hz (1Ph/N/PE)

Order No.: M0800005

### Qpress 50-4

- | basic unit, consisting of control- and integrated pressing unit
- | extendable with up to 3 additional pressing units Qp 50 (max. up to 4 moulds totally)

200-240 V, 50/60 Hz (1Ph/N/PE)

Order No.: M0800002

100-120 V, 50/60 Hz (1Ph/N/PE)

Order No.: M0800003

## ACCESSORIES

### PRESSING UNIT Qp 50

- | additional pressing unit for basic unit
- | mould assemblies available in 6 different sizes
- | with sliding closure

#### Equipment 1

200-240 V, 50/60 Hz (1Ph/N/PE)

Order No.: A0800011

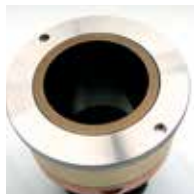
#### Equipment 2

100-120 V, 50/60 Hz (1Ph/N/PE)

Order No.: A0800012

**ACCESSORIES**
**MOULD ASSEMBLY**

| cylinder, upper and lower ram



| Mould size      | Equipment 1<br>200-240 V, 50/60 Hz (1Ph/N/PE) |                   | Equipment 2<br>100-20 V, 50/60 Hz (1Ph/N/PE) |                   |
|-----------------|---|-------------------|--|-------------------|
|                 | without chamfer                               | with chamfer      | without chamfer                              | with chamfer      |
|                 | <b>Order No.:</b>                             | <b>Order No.:</b> | <b>Order No.:</b>                            | <b>Order No.:</b> |
| Ø 25.2 mm (~1") | <b>A0800210</b>                               | <b>A0800220</b>   | <b>A0800110</b>                              | <b>A0800120</b>   |
| Ø 30 mm         | <b>A0800211</b>                               | <b>A0800221</b>   | <b>A0800113</b>                              | <b>A0800123</b>   |
| Ø 1¼" (~32 mm)  | <b>A0800213</b>                               | <b>A0800223</b>   | <b>A0800111</b>                              | <b>A0800121</b>   |
| Ø 1½" (~38 mm)  | <b>A0800214</b>                               | <b>A0800224</b>   | <b>A0800114</b>                              | <b>A0800124</b>   |
| Ø 40 mm         | <b>A0800215</b>                               | <b>A0800225</b>   | <b>A0800115</b>                              | <b>A0800125</b>   |
| Ø 50 mm         | <b>A0800216</b>                               | <b>A0800226</b>   | <b>A0800116</b>                              | <b>A0800126</b>   |

**VACUUM CLEANER Qpress 50**


| extern

|                          |                          |
|--------------------------|--------------------------|
| Motor                    | 0.6 kW                   |
| Effective airflow volume | 20-200 m <sup>3</sup> /h |
| WxHxD                    | 300x 510 x 300 mm        |
| 230 V/50 Hz (1Ph/N/PE)   |                          |
| <b>Order No.:</b>        | <b>A0800227</b>          |
| 110 V/60 Hz (1Ph/N/PE)   |                          |
| <b>Order No.:</b>        | <b>A0800228</b>          |

**CONNECTION SET Qpress 50**

|                  |                |
|------------------|----------------|
| 2x pressure tube | R ½"; 2 m long |
| Adapter          | for ¾"         |

**Order No.:** Z0800001

**BASIC SET Qpress 50**
**Order No.:** Z0800002

**ACCESSORIES**
**RECIRCULATION COOLING UNIT**

Recirculation cooling unit



| extern

|                        |                    |
|------------------------|--------------------|
| Cooling                | 1.7 kW             |
| Motor                  | 1.4 kW             |
| Flow pressure          | 5.0 bar            |
| Tank                   | 4 ltr.             |
| WxHxD                  | 235 x 520 x 625 mm |
| 230 V/50 Hz (1Ph/N/PE) |                    |
| <b>Order No.:</b>      | <b>A0800233</b>    |
| 110 V/60 Hz (1Ph/N/PE) |                    |
| <b>Order No.:</b>      | <b>A0800234</b>    |

System cooling unit

 | integrated in drawer  
(21 HT)

|                        |                 |
|------------------------|-----------------|
| Cooling                | 1.7 kW          |
| Motor                  | 1.4 kW          |
| Flow pressure          | 5.0 bar         |
| Tankinhalt             | 4 ltr.          |
| 230 V/50 Hz (1Ph/N/PE) |                 |
| <b>Order No.:</b>      | <b>A0800235</b> |
| 110 V/60 Hz (1Ph/N/PE) |                 |
| <b>Order No.:</b>      | <b>A0800236</b> |



### SPECIFICATIONS

|                       |                               |
|-----------------------|-------------------------------|
| Heating power         | 1200 W                        |
| Temperature range     | 20-200 °C                     |
| Heating time          | adjustable                    |
| Cooling time          | adjustable                    |
| Max. pressure in mold | 250-350 bar depending on size |

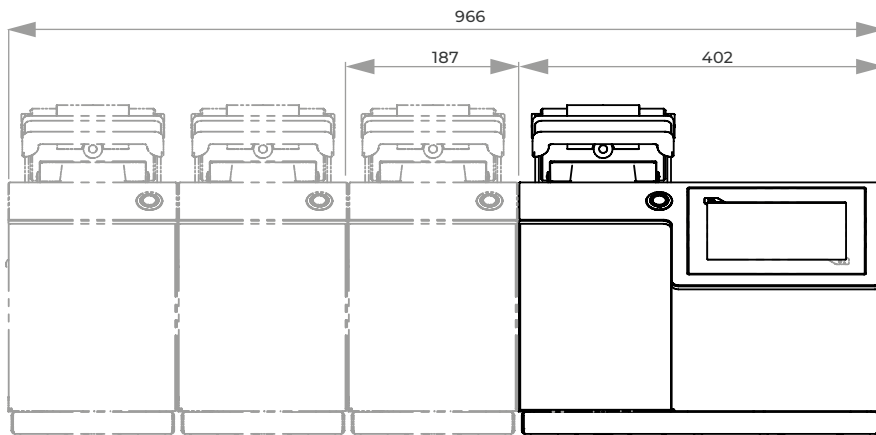
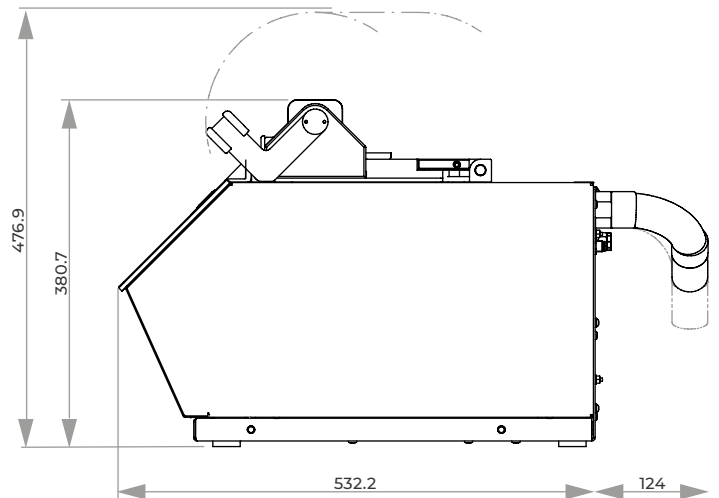
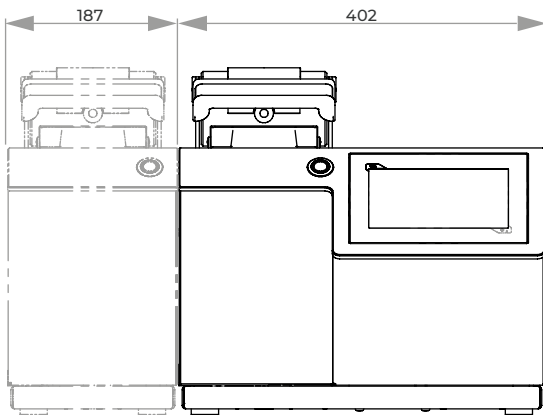
### BASIC UNIT

|        |                    |
|--------|--------------------|
| WxHxD  | 402 x 382 x 536 mm |
| Weight | ~ 50 kg            |

### ADDITIONAL PRESSING UNIT

|        |                                  |
|--------|----------------------------------|
| WxHxD  | 187 x 382 x 449 mm               |
| Weight | ~ 40 kg                          |
| Mould  | Ø 25.2-50 mm (6 different sizes) |

|                                       |  |
|---------------------------------------|--|
| Connected load (basic unit)           | 1.6 kVA  |
| Connected load (addit. pressing unit) | 1.5 kVA  |
| Power supply                          | <ol style="list-style-type: none"> <li>1 200-240 V, 50/60 Hz (1Ph/N/PE)</li> <li>2 100-120 V, 50/60 Hz (1Ph/N/PE)</li> </ol> |



**MODULAR HOT MOUNTING PRESS**

# QPRESS 50 – CONFIGURATION

Please refer to step 1 - 5

**1. CHOOSE BASIC UNIT**
**Qpress 50-2**

200-240 V, 50/60 Hz

**Order No.: M0800004**

100-120 V, 50/60 Hz

**Order No.: M0800005**
**Qpress 50-4**

200-240 V, 50/60 Hz

**Order No.: M0800002**

100-120 V, 50/60 Hz

**Order No.: M0800003**

**2. CHOOSE MOULD ASSEMBLY FOR BASIC UNIT**

| Mould size     | 200-240 V, 50/60 Hz |                   | 100-120 V, 50/60 Hz |                   |
|----------------|---------------------|-------------------|---------------------|-------------------|
|                | without chamfer     | with chamfer      | without chamfer     | with chamfer      |
|                | <b>Order No.:</b>   | <b>Order No.:</b> | <b>Order No.:</b>   | <b>Order No.:</b> |
| Ø 25.2 mm      | A0800210            | A0800220          | A0800110            | A0800120          |
| Ø 30 mm        | A0800211            | A0800221          | A0800111            | A0800121          |
| Ø 1¼" (~32 mm) | A0800213            | A0800223          | A0800113            | A0800123          |
| Ø 1½" (~38 mm) | A0800214            | A0800224          | A0800114            | A0800124          |
| Ø 40 mm        | A0800215            | A0800225          | A0800115            | A0800125          |
| Ø 50 mm        | A0800216            | A0800226          | A0800116            | A0800126          |


**3. ADD CONNECTION SET**
**Order No.: Z0800001**
**4. CHOOSE ADDITIONAL PRESSING UNIT QP 50**

Note correct voltage

200-240 V, 50/60 Hz

**Order No.: A0800011**

100-120 V, 50/60 Hz

**Order No.: A0800012**

**5. CHOOSE MOULD ASSEMBLY FOR ADDITIONAL PRESSING UNIT QP 50**

| Mould size     | 200-240 V, 50/60 Hz |                   | 100-120 V, 50/60 Hz |                   |
|----------------|---------------------|-------------------|---------------------|-------------------|
|                | without chamfer     | with chamfer      | without chamfer     | with chamfer      |
|                | <b>Order No.:</b>   | <b>Order No.:</b> | <b>Order No.:</b>   | <b>Order No.:</b> |
| Ø 25.2 mm      | A0800210            | A0800220          | A0800110            | A0800120          |
| Ø 30 mm        | A0800211            | A0800221          | A0800111            | A0800121          |
| Ø 1¼" (~32 mm) | A0800213            | A0800223          | A0800113            | A0800123          |
| Ø 1½" (~38 mm) | A0800214            | A0800224          | A0800114            | A0800124          |
| Ø 40 mm        | A0800215            | A0800225          | A0800115            | A0800125          |
| Ø 50 mm        | A0800216            | A0800226          | A0800116            | A0800126          |



For Qpress 50-4: repeat step 3, 4 + 5 if necessary