

## ELECTROLYTIC POLISHER &amp; ETCHER

**QETCH 1000**


The Qetch 1000 is a fully automatic electrolytic polisher and etcher with intuitive touch-screen operation. Polishing and etching unit and control unit are separated, also the Qetch 1000 can be used in the lab fume cabinet. A scan function displays the current voltage curve of a material and provides

polishing results quickly without structural changes. Handling of the polishing and etching unit was facilitated significantly by the interchangeable 1 ltr. electrolytic tanks. Different electrolytes can be changed and easily stored with lid. The unit is cleaned with water by a washing program.

**EASY OPERATION**

Qetch 1000 provides maximum safety and flexibility for the user during the polishing & etching process by intuitive touchscreen-control. Separation of polishing & etching unit from control unit enables operation within a lab fume cupboard.

Option for connecting an additional and an external etching unit increases time saving applications. The chemical-resistant plastic vessels, also for storage of the electrolytes, are quick and easy to change.

**TOUCHSCREEN-CONTROL**

The QATM touchscreen surface allows intuitive operation even with gloves.

Up to 200 programs with all parameters can be stored and protected with password (incl. labelling field).


**POLISHING AND ETCHING UNIT**

The chemical resistant coated stainless steel housing has a large polishing table and can also be used separated from the control unit, e.g. in a lab-fume cabinet.




**BASIC MODULE**
**Qetch 1000 CONTROL UNIT**

- | intuitive operation via QATM Touchscreen surface, even with gloves
- | up to 200 programs with all parameters storable, protected per password (incl. free labelling field)
- | current & voltage diagram in real time
- | scan function for displaying a current-voltage characteristic graph
- | USB interface for creating program backup
- | media preparation for connecting a polishing & etching unit and an external etching unit (optional: connection for 2nd polishing & etching unit)
- | variable output voltage and process duration
- | automatic cooling control for mains water or recooling (current supply via Qetch 1000)
- | Aluminium housing, powder-coated
- | e-lab ready

**Order No.: M6202000**
**EQUIPMENT**
**POWER SUPPLY**
**Equipment 1**

230 V/50 Hz (1Ph/N/PE)

**Order No.: A6202000**
**Equipment 2**

110 V/60 Hz (1Ph/N/PE)

**Order No.: A6202001**
**POLISHING & ETCHING UNITS**
**Equipment 1**

**Polishing & etching unit**

- | large polishing table incl. set of masks (5 pcs.)
- | touch-free pump drive (magnetic clutch)
- | stainless steel start button with integrated LED status display

- | exchangeable 1 ltr.electrolyte tank made from chemical-resistant plastic (incl. lid)
- | max. standard sample height 50 mm (higher samples with ext. anode via magnetic or croc. clips)
- | polishing & etching unit can be operated separately from control unit e.g. in lab fume cabinet
- | housing made from rust-free stainless steel (chemical-resistant coating) with drip tray
- | incl. connection set (electricity/water)

**Order No.: A6202003**
**Equipment 2**
**External etching unit**

- | etching beaker made from stainless steel
- | volume 1200 ml



Automatic drive	0-60 V
ØxH	~ 120 x 120 mm
Weight	~ 0.5 kg

**Order No.: A6202004**

**OPTION**

**EXTENSION FOR CONNECTION**

| connection plugs for second etching/polishing unit Qetch 1000

Order No.: A6202005



**ACCESSORIES**

**SET OF MASKS (5 PCS.)**



| 0.5 / 1.5 / 2.5 / 5 cm<sup>2</sup> / blind mask



Order No.: Z6202001

**ELECTROLYTE VESSEL**



| volume 1 Ltr.  
| incl. cover  
| made from chemical-resistant plastic

Order No.: Z6202002

**CONNECTION SET Qetch 1000**

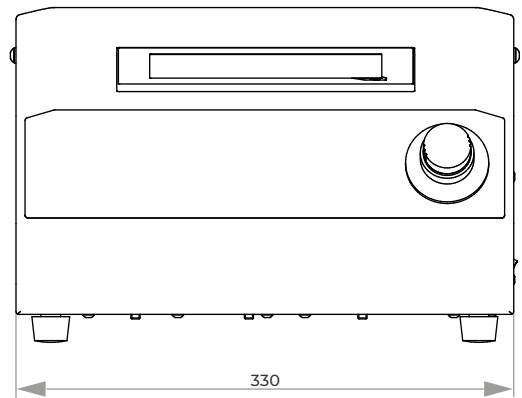
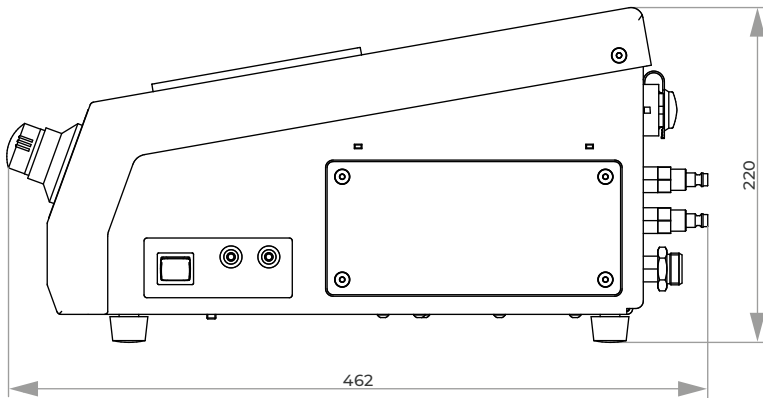
2x pression tubes R ½"; 2 m

Order No.: Z6202003



**SPECIFICATIONS**
**CONTROL UNIT**

Connected load	2 kVA
Power supply	1 220-240 V / 50/60 Hz (1Ph/N/PE) 2 110-120 V / 50/60 Hz (1Ph/N/PE)
Current	0-14 A
Working voltage	0-90 V $\pm$ 0.1V regulated
WxHxD	~ 330 x 220 x 462 mm
Weight	~ 7 kg


**SPECIFICATIONS**
**POLISHING & ETCHING UNIT**

Polishing duration	1 sec.-25 min.
Etching duration	1 sec.-5 min.
Automatic drive	0-90 V
Polishing desk	~ 160 x 150 mm
WxHxD	~ 216 x 320 x 280 mm
Weight	~ 4 kg

